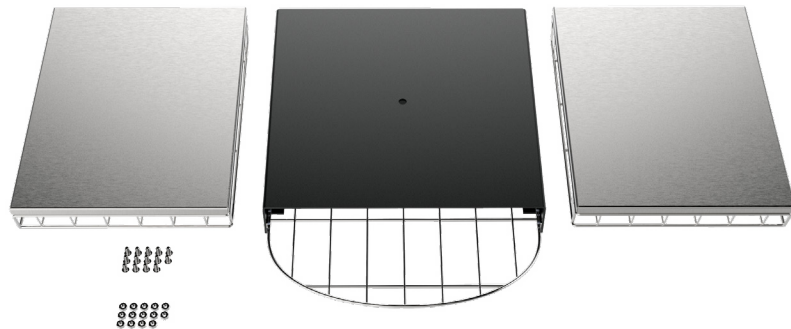
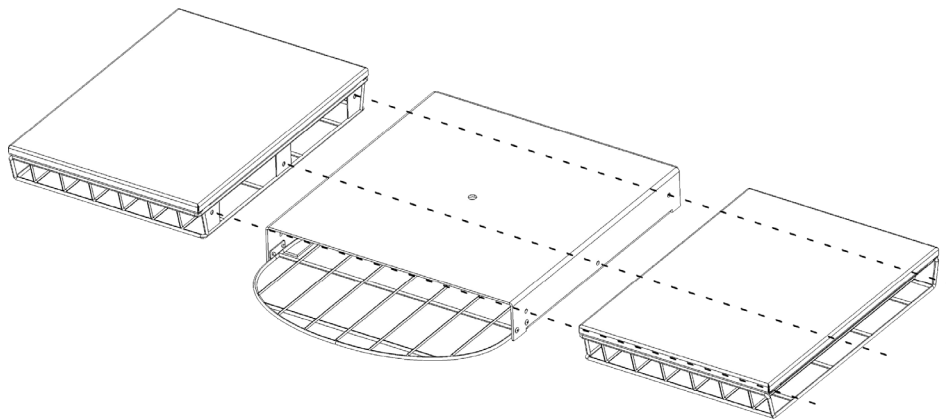


Assembly Details - Base station



Whats in the box

- Center Support
- Left & Right Work Table
- x6 1/4-20 bolt and nut
- x1 3/8-16 bolt



Step 1

Secure each of the side table assemblies to the center support section using x6 1/4-20 bolts and nuts.

Step 2

Secure the base station assembly to the home stand assembly by placing it onto the tube using the receiver on the bottom side of the base station to line it up. use the supplied 3/8-16 bolt to bolt it down to the pole.

