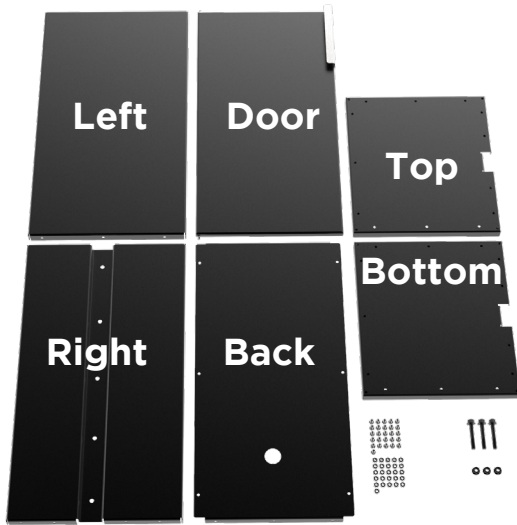


Assembly Details - Cabinet



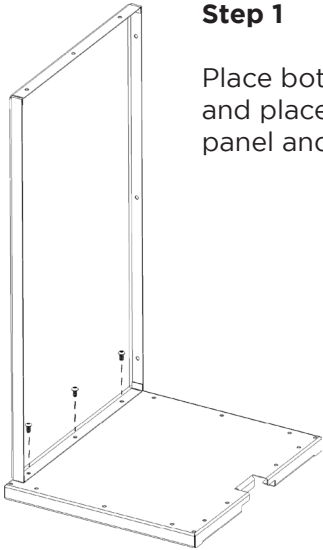
Whats in the box

- Door
- Left & Right panel
- Top & Bottom panel
- Back Panel
- x26 1/4-20 bolt and nut
- x3 3/8-16 bolt and nut

The cabinet has been designed to be assembled as either a left or right side cabinet and all panels can be used interchangeably to achieve this.

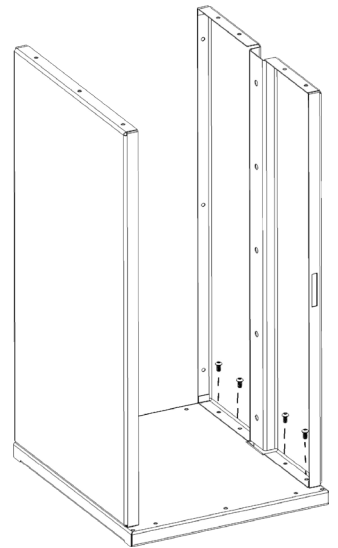
When assembling the back panel, if using a propane tank make sure the hole on the panel is at the top for long enough reach with the gas line.

Step 1



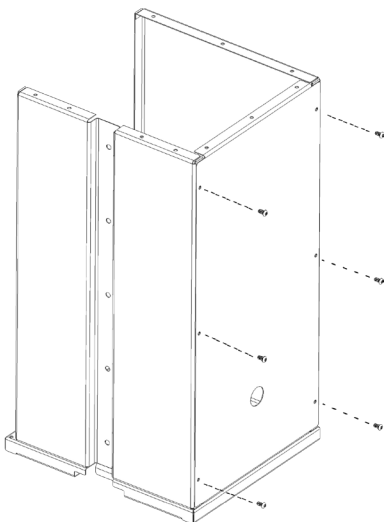
Place bottom panel flat on the ground. Locate and place the left side panel onto the bottom panel and secure it with x3 1/4-20 bolts and nuts.

Step 2

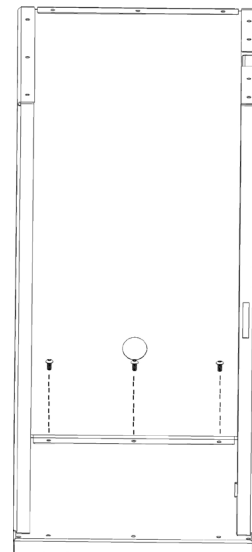


Locate the right side panel and secure it to the bottom panel using x4 1/4-20 bolts and nuts.

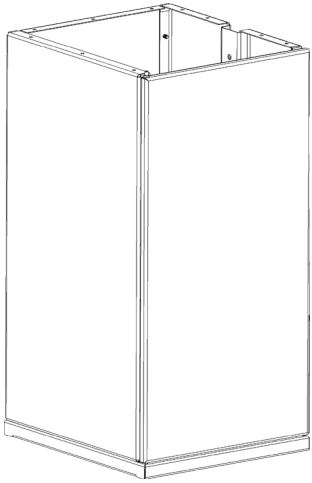
Step 3



Locate and secure the back panel to the bottom, left & right side panels using x9 1/4-20 bolts and nuts



Assembly Details - Cabinet

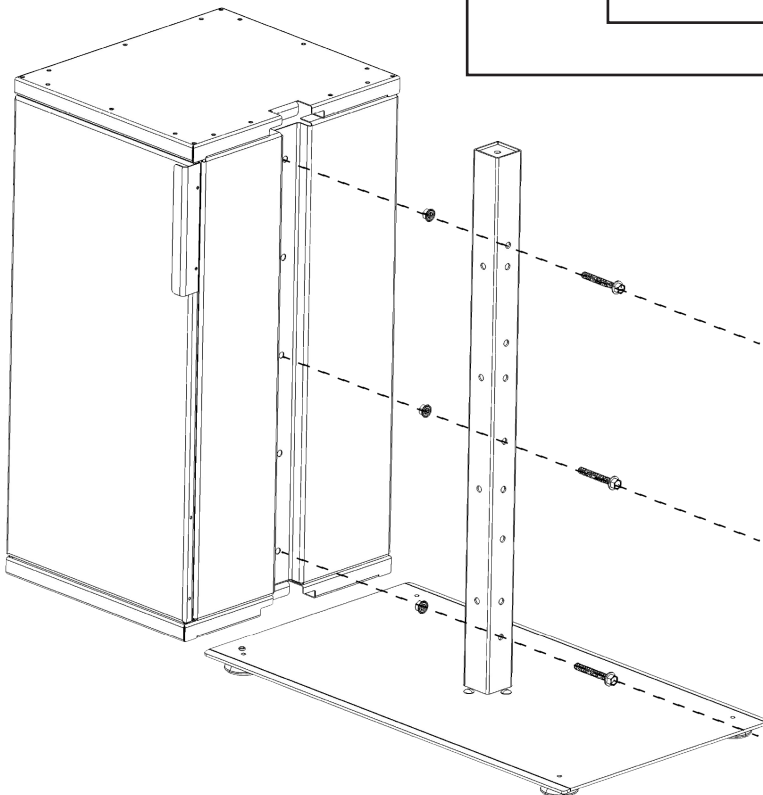
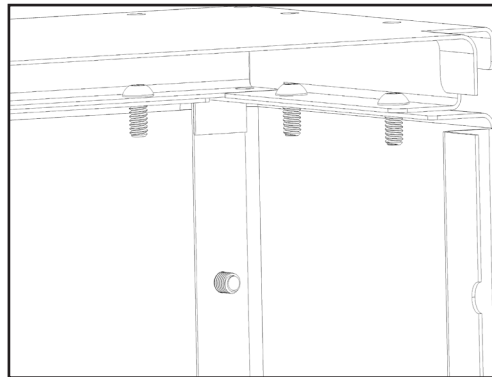
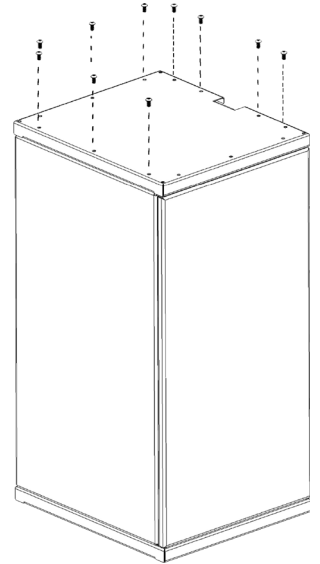


Step 4

Locate and place the door onto the bottom panel so that the hinge pin securely seats into the hole receiver on the bottom panel.

Step 5

locate and secure the top panel to the rest of the cabinet assembly making sure that the door hinge pin seats into the hole receiver on the top panel. Use x10 1/4-20 bolts and nuts to secure the top panel to the assembly. use the image below for reference on how the bolts are used for the top panel assembly.



Step 6

Using the x3 3/8-16 bolts and nuts secure the cabinet assembly to the stand pole making sure the cabinet sits flush to the base and pole. The recommended assembly method is to place the cabinet against the pole inside the slot of the cabinet and then slide it down to the base.

Until the cabinet is fully secured to the base and pole it may feel slightly wobbly and that is normal because it needs the pole as its base structure.

After assembly, make sure the doors open and close freely without obstruction. If you are on a unlevel surface the cabinet door may have some interference with either the top or bottom panel because the cabinet could be out of square. We recommend the stand be on a level surface or be properly leveled using the rubber feet or casters to prevent distortion.