

Assembly Details - Home stand

Whats in the box

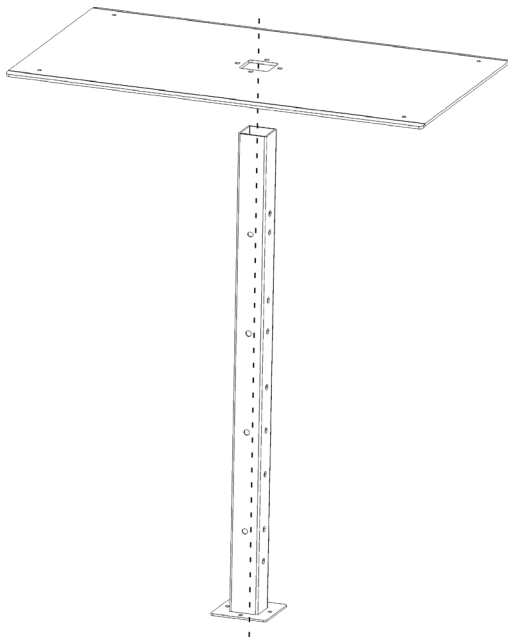
- Base
- Pole
- x4 Rubber Feet
- x4 Casters (IF PURCHASED SEPERATELY)
- x4 1/4-20 carriage bolts, washer, nut



The base is threaded to accept the rubber feet or casters, this also allows for ease of leveling.

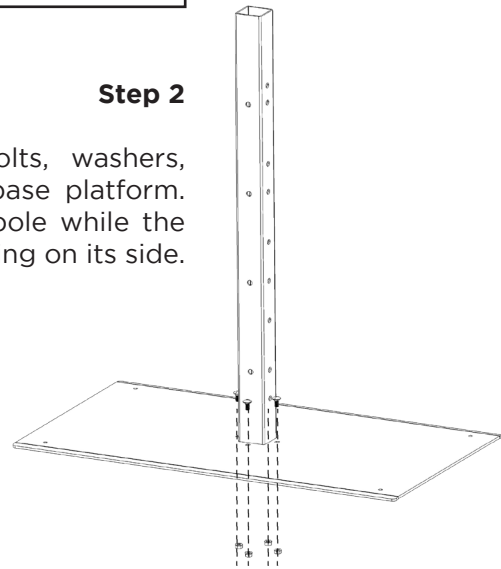
Step 1

Slide the pole assembly throught the bottom of the base making sure the bend sides on the base are facing down.



Step 2

Using the x4 1/4-20 carriage bolts, washers, and nuts secure the pole to the base platform. It is usually easiest to mount the pole while the assembly is laying on its side.



Step 3

Locate either the rubber feet or casters and screw them into the bottom on the base platform.

