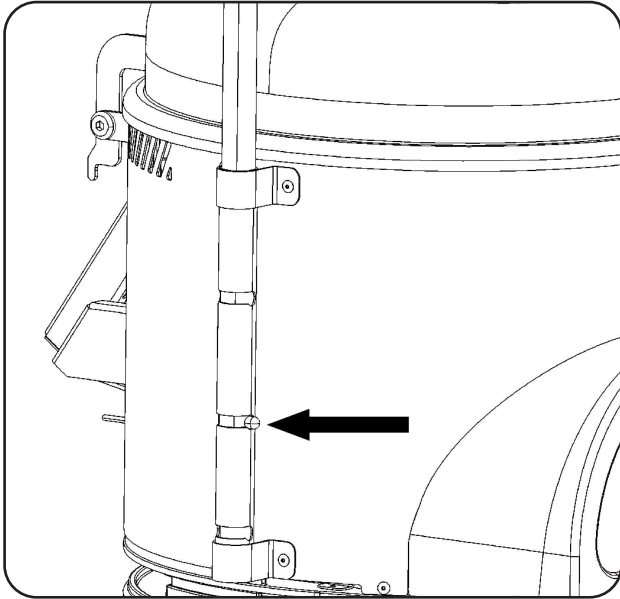
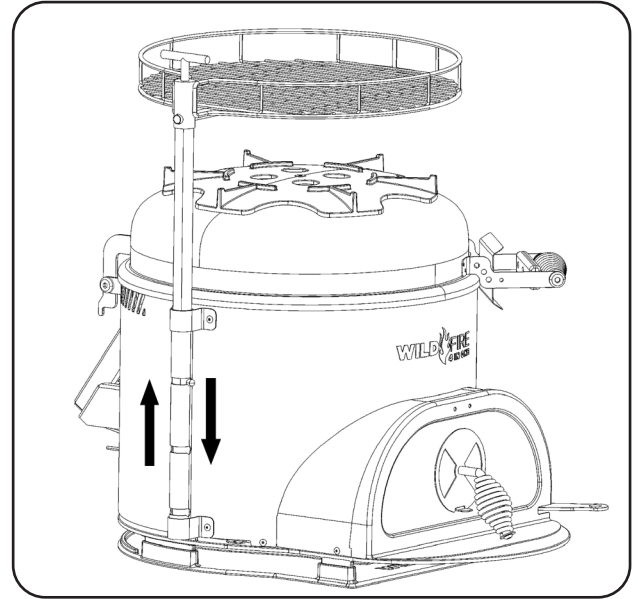


Assembly Details - Asado

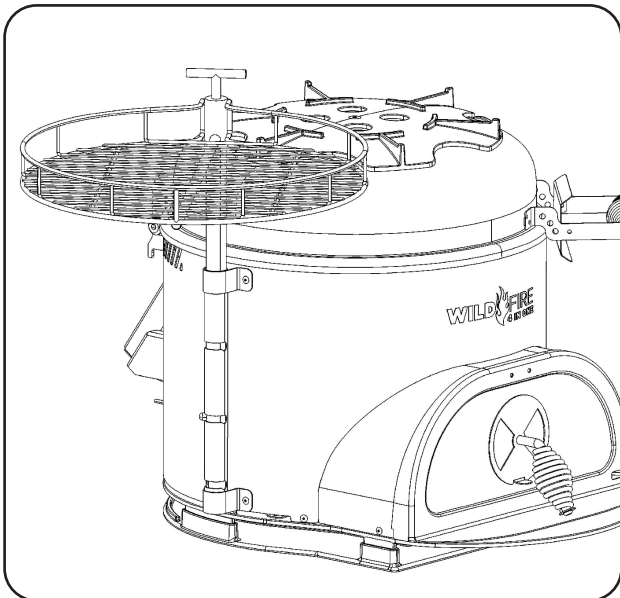
Asado Assembly



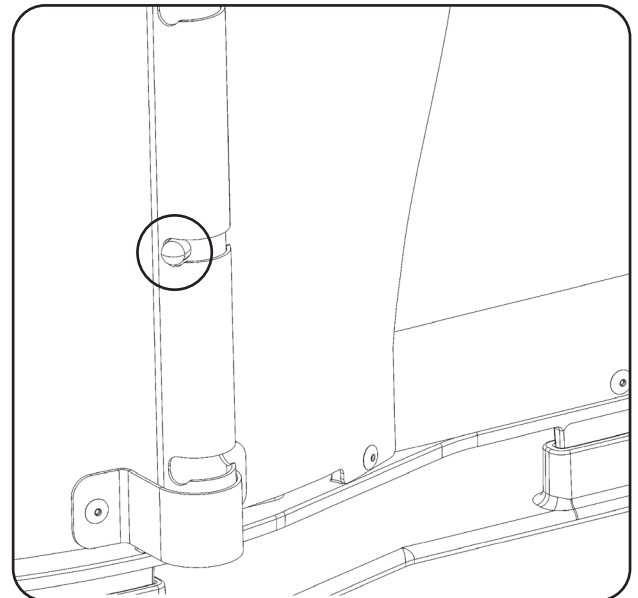
To raise and lower the Asado rack press in the locking pin and pull up on the t-handle



The Asado rack has three adjustable heights in sections of 3" increments. The rack can also be fully removed to be cleaned.



The Asado rack can be rotated 145 degrees to allow for the lid to open, move your food out of the way for holding, or be used as a work station.



The Asado pole has indentations on the front and rear of the slot so the push pin can be seated and not rotate for added stability.