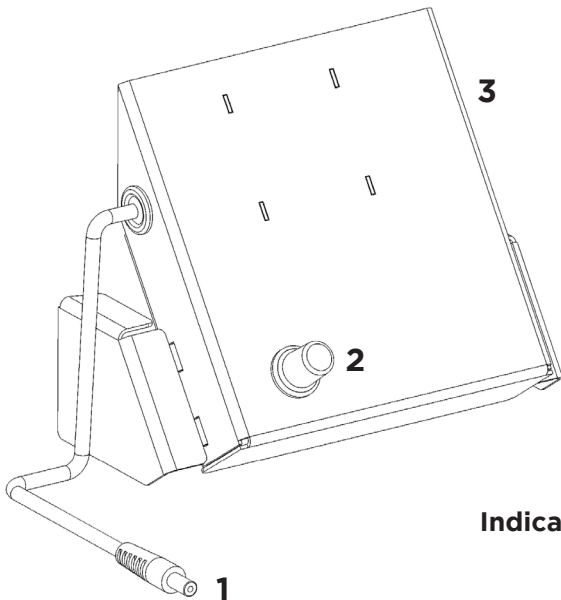


Assembly Details - Fan

Fan Assembly

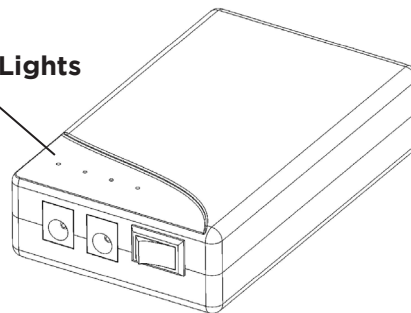
1. Power Plug
2. Control Knob
3. Fan Assembly



Using the Fan and Battery Pack

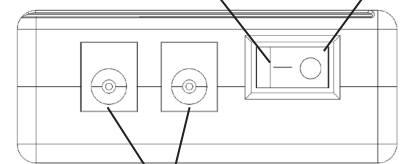
1. Powering the fan can be done either by battery pack, by switching the battery to on (green lights will illuminate on the top of the battery), or from a wall receptacle using the provided power supply.
2. Use the control knob on the back of the fan assembly to adjust the speed of the fan up and down.
3. To charge the battery pack plug in the 12vdc wall plug into the power supply and turn the switch to the on position (If the battery is not turned on it will **NOT** charge).
4. Always place the battery pack away from hot surfaces to prevent overheating and potential fire.

Indicator Lights

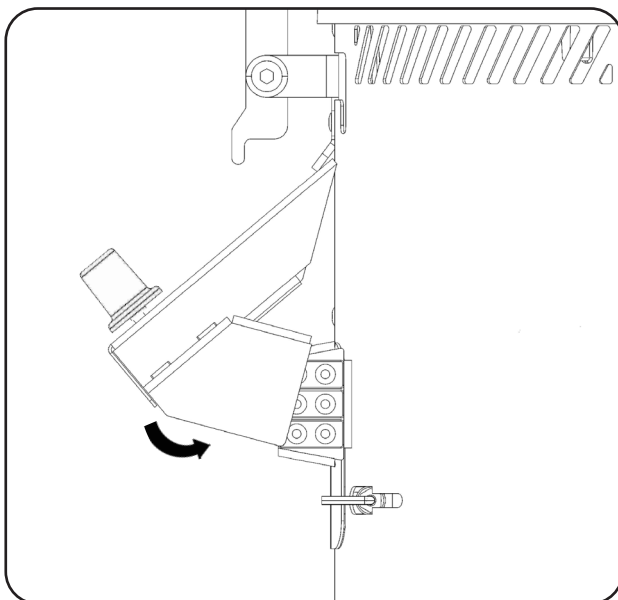


ON

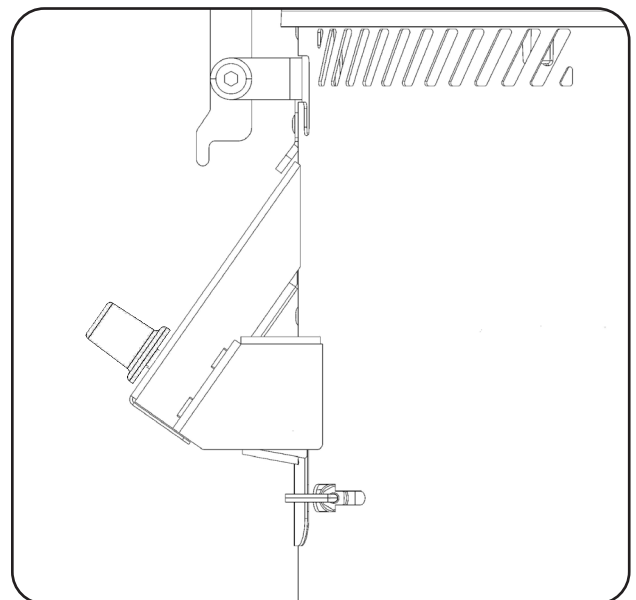
OFF



Power IN/OUT



Slide in the top edge of the fan to fit behind the angled hinge bracket.



Push in fan assembly so that the magnets seat inside the wings of the fan assembly. Press in firmly to seat the fan assembly fully. It may be required to slightly bend in the magnet bracket to seat inside the fan assembly.