

# Using the Charcoal Screen basket

## Charcoal Preferences

Any charcoal will work great in your unit however we do not recommend self starting products. Standard briquettes will introduce a fine ash that can clog the screen during operation. The Team prefers lump charcoal for a nice hot and clean burn.

## Charcoal Screen Basket - Loading

Place the charcoal screen basket onto the Charcoal Support Rack. Place the assembly onto the tabs inside the unit. Fill charcoal basket up to its rim with an even load of fuel.

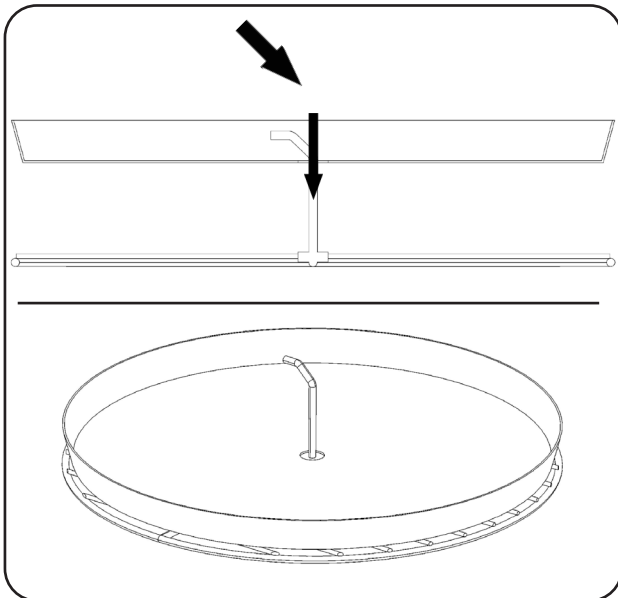
At all times handle re-charging carefully, don't dump briquettes or lump into the basket - place fresh fuel with tongs while wearing gloves

We **DO NOT** recommend the use of starter fluid when starting the charcoal.

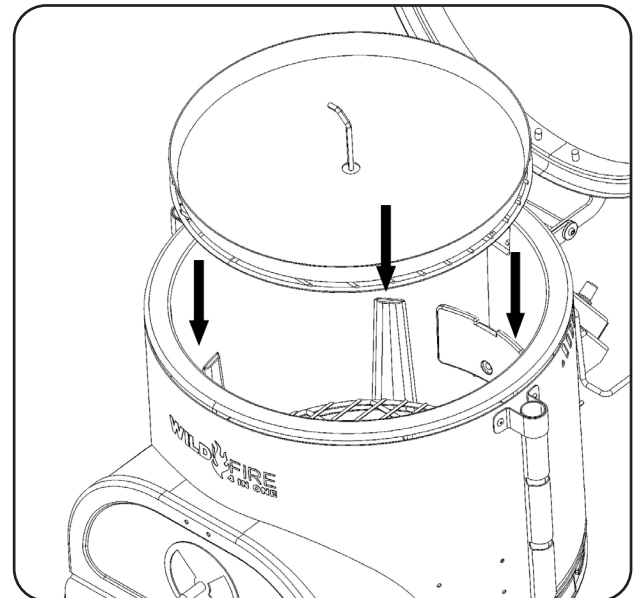
## Charcoal Screen basket - Cleaning

The charcoal screen pack is made of 316 Stainless Steel and will last for multiple runs if maintained properly. After each use and once the coals have fully cooled off, remove the charcoal support rack assembly from the grill and properly dispose of the ash and coals into a fire proof bucket or comparable disposable container. Use a wire brush to loosen up larger particulates and ash stuck inside the screen holes. The screen and rack can either be washed off with a water hose or placed in the dishwasher. Allow the screen pack to fully dry off before using so that fine particulates don't clog the screen.

When removing the charcoal rack assembly from the grill, we have included a tab that allow for easy removal of the coals.



To slide the charcoal screen pack onto the charcoal support rack, rotate the charcoal screen pack slightly to allow it to clear the pull tab on the rack.



Place the charcoal support rack assembly into the WildFire grill making sure it sits flat onto the support standoffs inside the unit.